

**FRIGGITRICI GAS MECCANICHE 23Lt 900XP  
GAS FRYERS MANUAL CONTROL 23Lt 900XP**

PNC	Description	Ref
391331	23LT GAS FRYER-1 WELL+2 1/2 BASKETS	A
391332	23+23LT GAS FRYER-2 WELLS+4 1/2 BASK	B
<b>391632</b>	<b>23LT GAS FRYER, 1 WELL+2 1/2 BASKETS</b>	<b>A</b>
<b>391633</b>	<b>23+23LT GAS FRYER, 2 WELLS+4 1/2 BASKETS</b>	<b>B</b>
392331	23LT GAS FRYER-1 WELL+2 1/2 BASKETS	C
392332	23+23LT GAS FRYER-2 WELLS+4 1/2 BASK	D
<b>392610</b>	<b>23LT GAS FRYER-1 WELL+2 1/2 BASKETS - QMARK</b>	<b>C</b>
<b>392611</b>	<b>23+23LT GAS FRYER-2 WELLS+4 1/2 BASKETS - QMARK</b>	<b>D</b>
393331	23LT GAS FRYER-1 WELL+2 1/2 BASKETS	E
393332	23+23LT GAS FRYER-2 WELLS+4 1/2 BASK	F

**Index**

General components / Componenti struttura  
Gas components / Componenti gas  
Nozzles table / Tabelle ugelli  
Spare parts list / Lista ricambi

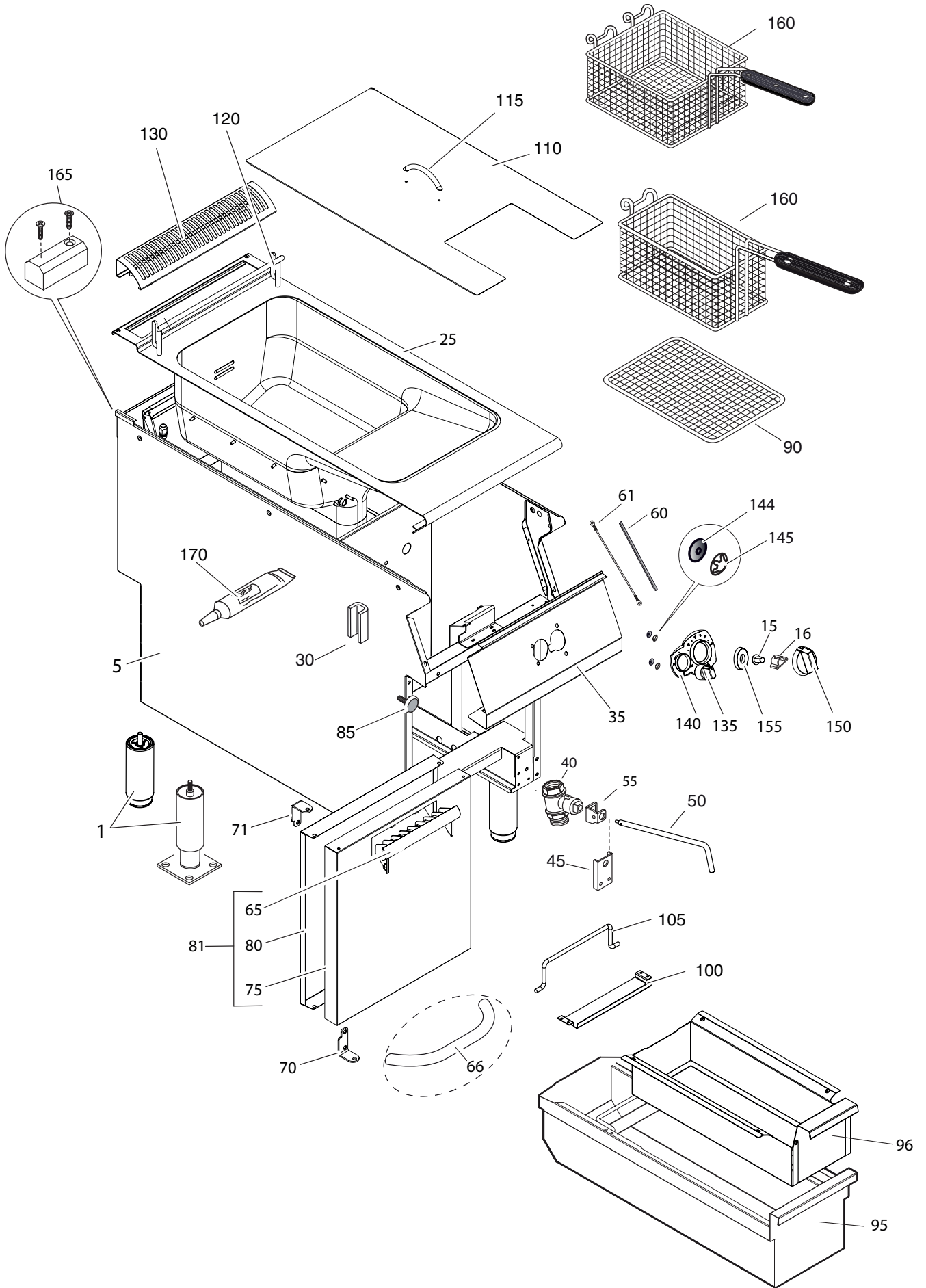
**Page**

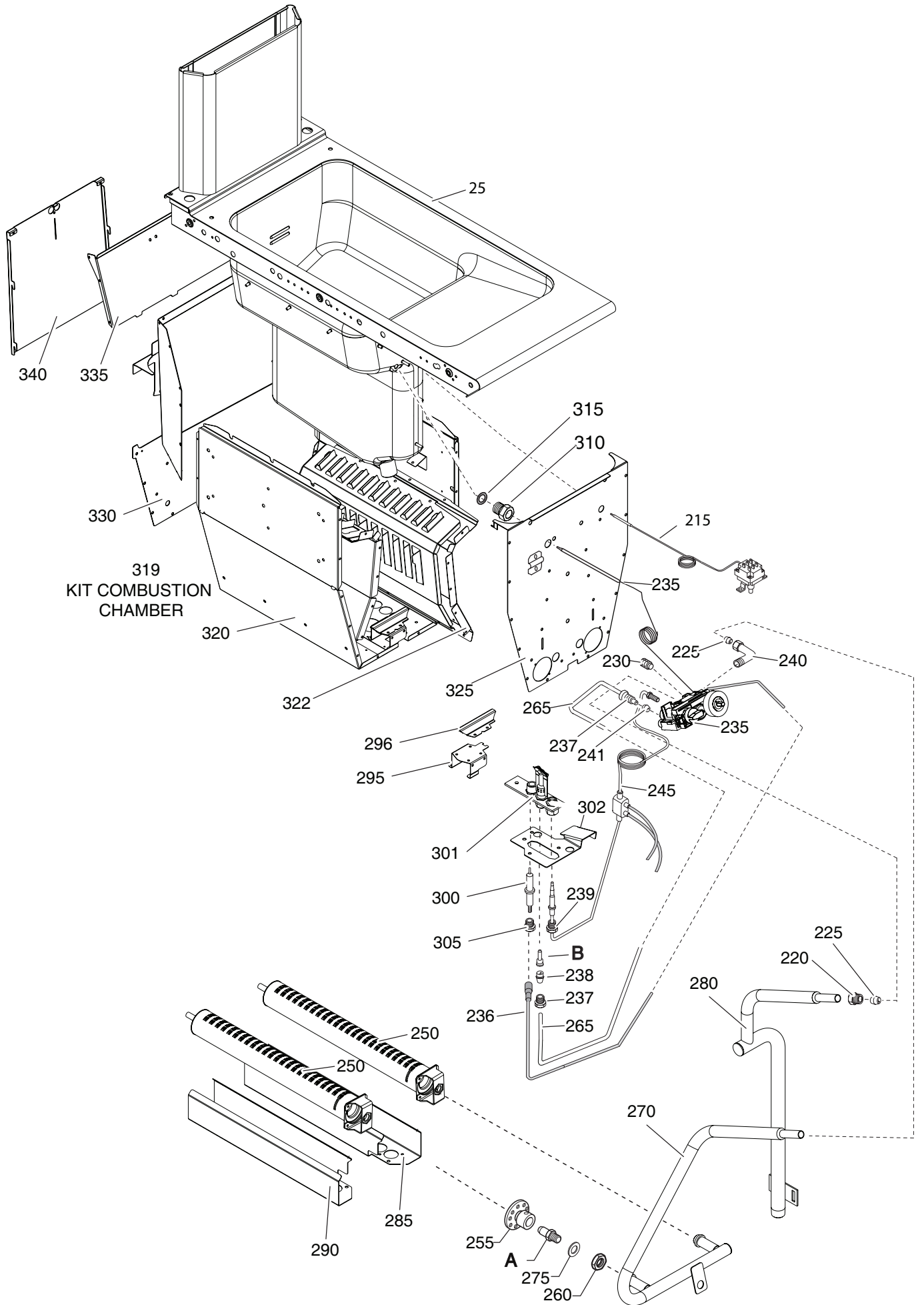
2  
3  
4  
5,6,7

**Bold=last change / Grassetto =ultima modifica**

Rev. 3

From Ser. Nr.8041 Up to Ser. Nr.	Ed. 2018-10 Updated 2024-10	Page: 1	<b>Doc No:59785VW00</b>
-------------------------------------	--------------------------------	---------	-------------------------





Gas type	Category	Power condition	Nominal Pressure	A - BURNER NOZZLE				B - PILOT NOZZLE		
				Aerator adjust						
			mbar	mm	Ø mm	Spare part code	Factory code	Referen	Spare part code	Factory code
G30	3+3B/P	Max.	30	34,0	1,60	002905	516814800	24 1 hole	054286	514833900
STD-DE	3B/P	Max.	50							
G30 PL	3B/P	Max.	37	34,0	1,60	002905	516814800	24 1 hole	054286	514833900
G20	2H;2E;2Es	Max.	20	32,0	2,90	006419	516844100	25 2 holes	054037	514831500
STD-HU	2E(R)B	Max.	25							
G25	2Ei	Max.	25	32,0	3,20	054084	514831000	25 2 holes	054037	514831500
STD	2E(R)B									
G25 DE	2ELL	Max.	20	32,0	3,20	054084	514831000	25 2 holes	054037	514831500
G25 NL	2L	Max.	25	32,0	3,20	054084	514831000	25 2 holes	054037	514831500
G25.3 NL	2K	Max.	25	32,0	3,20	054084	514831000	25 2 holes	054037	514831500
G25.1 HU	2S	Max.	25	32,0	3,20	054084	514831000	25 2 holes	054037	514831500

FRIGGITRICI GAS MECCANICHE 23Lt 900XP  
GAS FRYERS MANUAL CONTROL 23Lt 900XP

Pos	Spare Code	Factory Code	Descrizione	Description	Ref./Notes
1	0C0204	835856901	PIEDE	FOOT	
5	0CA526	85089DY02	FASCIA 400mm	EXTERNAL PANEL 400mm	A
5	0C9010	85089DZ02	FASCIA 800mm	EXTERNAL PANEL 800mm	B
5	0CB643	85089F302	FASCIA 400mm	EXTERNAL PANEL 400mm	C, E
5	0C8984	85089F402	FASCIA 800mm	EXTERNAL PANEL 800mm	D, F
15	0C8714	54887AP00	ADATTATORE	ADAPTER	A, B
<b>16</b>	<b>025245</b>	<b>214590701</b>	<b>MOLLETTA PER MANOPOLA</b>	<b>KNOB SPRING</b>	<b>C, D, E, F</b>
<b>25</b>	<b>0CB757</b>	<b>087089RJ00</b>	<b>RIPIANO / VASCA 400mm</b>	<b>WORKTOP / TANK 400mm</b>	<b>A</b>
<b>25</b>		<b>087089RH00</b>	<b>RIPIANO / VASCA 800mm</b>	<b>WORKTOP / TANK 800mm</b>	<b>B</b>
<b>25</b>		<b>087089RM00</b>	<b>RIPIANO / VASCA 400mm</b>	<b>WORKTOP / TANK 400mm</b>	<b>C, E</b>
<b>25</b>	<b>0CB-CUH</b>	<b>087089RN01</b>	<b>RIPIANO / VASCA 800mm</b>	<b>WORKTOP / TANK 800mm</b>	<b>D, F</b>
30	0C0156	527850500	PIASTRA FISSAGGIO FIANCHI	SIDE PANEL JOINTING PLATE	
35	0C7801	85589AG03	CRUSCOTTO 400mm	CONTROL PANEL 400mm	A
35	0C7739	85589AH03	CRUSCOTTO 800mm	CONTROL PANEL 800mm	B
35	0C7514	87089HX02	CRUSCOTTO 400mm	CONTROL PANEL 400mm	C
35	0C7515	87089HZ02	CRUSCOTTO 800mm	CONTROL PANEL 800mm	D
35		800838L01	CRUSCOTTO 400mm	CONTROL PANEL 800mm	E
35		800838M01	CRUSCOTTO 800mm	CONTROL PANEL 800mm	F
40	006688	835855000	VALVOLA SCARICO	DRAIN VALVE	
45	*	50589K700	SUPPORTO LEVA SCARICO	SUPPORT, DRAIN EXTENSION	
50	0C0608	516868800	PROLUNGA LEVA SCARICO	DRAIN EXTENSION HANDLE	
55	006877	508897004	CONNESSIONE PROLUNGA SCARICO	CONNECTION, DRAIN EXTENSION	
60	0C2496	543821900	GUARNIZIONE - GRIGIA	GRAY GASKET	SPONGE 6X2MM
61	0C7366	830825901	CAVETTO SOSTEGNO CRUSCOTTO	SUPPORT CABLE, CONTROL PANEL	
65	0C8769	54887AH00	MANIGLIA	HANDLE	A, B
66	0C8190	54887A802	MANIGLIA	HANDLE	C, D
66	0A5021	854864203	MANIGLIA	HANDLE	E, F
70	0C0138	516860801	CERNIERA INFERIORE	HINGE, LOWER	
71	0C0139	516860901	CERNIERA SUPERIORE	HINGE, UPPER	
75	0C7157	50389G300	PORTA	DOOR	A, B, C, D
75	*	50389MB01	PORTA	DOOR	E, F
80	0C7158	50489CQ00	CONTROPORTA	INNER DOOR	
81	0C7163	85589CT03	ASS.PORTINA +MANIGLIA	COMPLETE DOOR WITH HANDLE	A, B
81	0C7165	85589CU05	ASS.PORTINA+MANIGLIA	COMPLETE DOOR WITH HANDLE	C, D
81	0C7627	85589CV02	ASS.PORTINA+MANIGLIA	COMPLETE DOOR WITH HANDLE	E, F
85	0C0201	830898201	MAGNETE PER PORTA	MAGNET, DOOR	
90	006130	830884701	GRIGLIA FONDO	BOTTOM GRILL	
95	0CB342	87589FL01	BACINELLA OLIO COMPLETA	OIL BASIN, COMPLETE	
100	0C0612	528822801	SUPPORTO MANIGLIA	SUPPORT, HANDLE BASIN	
105	006131	516849501	MANIGLIA BACINELLA	HANDLE, BASIN	
110	0C0613	529890101	COPERCHIO FRIGGITRICE 23Lt	LID, FRYER 23Lt	
115	0C0614	511819000	MANIGLIA COPERCHIO	HANDLE, LID	
<b>120</b>	<b>006583</b>	<b>516847805</b>	<b>SUPPORTO CESTELLI</b>	<b>SUPPORT, BASKET</b>	
130	0C7333	50389LP00	GRIGLIA CAMINO	CHIMNEY GRID	
135	0C2021	548863303	MANOPOLA ACCENDITORE	LIGHTER KNOB	A, B
135	0C7181	548878303	MANOPOLA ACCENDITORE	LIGHTER KNOB	C, D
135	0C0190	548856603	MANOPOLA ACCENDITORE	LIGHTER KNOB	E, F
140	0C7802	548877501	GHIERA	RING, KNOB	A, B

FRIGGITRICI GAS MECCANICHE 23Lt 900XP  
GAS FRYERS MANUAL CONTROL 23Lt 900XP

Pos	Spare Code	Factory Code	Descrizione	Description	Ref./Notes
140	0C7484	548879800	GHIERA	RING, KNOB	C, D, E, F
144	0C6171	0541813800	RONDELLA SILICONE	SILICONE WASHER	
145	069567	218912211	ANELLO DI FISSAGGIO GHIERA	SPRING, KNOB RING	
150	0C8715	511851100	MANOPOLA TERMOSTATO	THERMOSTAT KNOB	A, B
150	0C7179	548877Z01	MANOPOLA TERMOSTATO	THERMOSTAT KNOB	C, D
150	0C5252	548872700	MANOPOLA TERMOSTATO	THERMOSTAT KNOB	E, F
155	0CB415	543844W00	FRIZIONE PER MANOPOLA	KNOB RUBBER WASHER	A, B
160	006133	850894500	CESTELLO ½ MODULO	ONE BASKET 1/2	23lt
160	006539	878824600	CESTELLO 1 MODULO INTERO	FULL SIZE BASKET	23+23lt
165	0C0137	516860702	PIASTRA GIUNZIONE APPARECC.	JOINTING REAR PLATE	
170	0C8116	*	LOCK TITE 542 TUBO GAS	LOCK TITE 542 GAS PIPE	
170	*	0147098070	LOCK TITE 511 SCARICO OLIO	LOCK TITE 511 OIL VALVE DRAIN	
215	005931	646810102	TERMOSTATO DI SICUREZZA	SAFETY THERMOSTAT	
220	051950	514862501	RACCORDO	PIPE FITTING	
225	050682	215170716	OGIVA	RING	
230	0C0625	516865800	TAPPO PER VALVOLA	STOPPER FOR VALVE	
235	0CB240	835879B00	VALVOLA GAS (con cavo acc.)	GAS VALVE (with ign. cable)	
236	0C7190	636800600	CAVETTO ACCENDITORE	IGNITER CABLE	Just cable, 1550mm
<b>237</b>	<b>052125</b>	<b>214164400</b>	<b>DADO RACCORDO TUBO PILOTA</b>	<b>JOINT NUT PILOT PIPE</b>	<b>M10 / 4Ø</b>
<b>238</b>	<b>053665</b>	<b>515827401</b>	<b>BICONO</b>	<b>DOUBLE CONE SEAL</b>	<b>4Ø</b>
<b>239</b>	<b>0C0121</b>	<b>214162000</b>	<b>DADO FISSAGGIO TC</b>	<b>NUT FOR TC</b>	<b>M10 / 6,5Ø</b>
240	0C0631	515863200	RACCORDO A "L"	L PIPE FITTING	
<b>241</b>	<b>052127</b>	<b>215199700</b>	<b>BICONO</b>	<b>DOUBLE CONE SEAL</b>	<b>4.4Ø</b>
245	0CA280	83089L700	TERMOCOPPIA INTERROTTA	THERMOCOUPLE; INTERRUPTED	
250	0CA281	83089L901	BRUCIATORE	BURNER	
255	054039	830828001	AERATORE	AERATOR	
260	020997	214105101	CONTRODADO	LOCK NUT	
265	0CB245	51589CK00	CONDUTTURA PILOTA	PIPE, PILOT	
270	0CB390	85589H600	RIBALTA	MANIFOLD	
275	054029	506833401	GUARNIZIONE PER UGELLO	GASKET, INJECTOR	
280	0CA755	85589DD00	RIBALTA ENTRATA GAS, 1 VASCA	GAS INLET, 1 WELL	B, D, F
280	0C8191	85589DB00	RIBALTA ENTRATA GAS, 2 VASCHE	GAS INLET, 2 WELL	A, C, E
285	*	50689G901	CONVOGLIATORE BRUC. DESTRO	CONVEJOR, RIGHT SIDE BURNER	
290	*	50689FP01	CONVOGLIATORE BRUC. SINISTRO	CONVEJOR, LEFT SIDE BURNER	
295		50689FK01	SUPPORTO PILOTA	PILOT SUPPORT	
<b>296</b>	*	<b>50489U501</b>	<b>CONVOGLIATORE GAS PILOTA</b>	<b>PILOT CONVEYOR</b>	
300	052610	330272401	ELETTRODO, CANDELA	ELECTRODE, IGNITER	
301	054032	830828100	BRUCIATORE PILOTA	PILOT BURNER	
<b>302</b>	<b>0CBCCV</b>	<b>050489U300</b>	<b>CHIUSURA PILOTA</b>	<b>PILOT COVER</b>	
305	057960	214164101	RACCORDO ELETTRODO	PIPE FITTING, ELECTRODE	M10 / 7,5 Ø
310	0CA470	051489BJ01	RACCORDO BULBO	PROBE, FIX NUT	
315	059293	543815000	GUARNIZIONE OR	OR GASKET	
319	0CB391	85589JX02	CAMERA DI COMBUSTIONE COMPLETA +CAMINO 1 VASCA	COMPLETE COMBUSTION CHAMBER AND CHIMENY 1 WELL	A, C, E
319	0CB392	85589HM03	CAMERA DI COMBUSTIONE COMPLETA +CAMINO 2 VASCHE	COMPLETE COMBUSTION CHAMBER AND CHIMENY, 2 WELL	B, D, F
320	*	85589N901	FASCIA CAMERA DI COMBUSTIONE	PANEL, COMB.CHAMBER	
<b>322</b>	*	<b>85589N100</b>	<b>ASS. CONVOGLIATORE FUMI SX / DX</b>	<b>LEFT/RIGHT FUME CONVEYOR ASS.Y</b>	
325	*	50489UK00	PARETE ANT. CAM. COMB.	FRONT PANEL, COMB. CHAMB.	A, C, E
325	*	530834501	PARETE ANT. CAM. COMB.	FRONT PANEL, COMB. CHAMB.	B, D, F
330	*	50489WV00	PARETE POST. CAM. COMB.	REAR PANEL, COMB. CHAMB.	A, C, E

FRIGGITRICI GAS MECCANICHE 23Lt 900XP  
 GAS FRYERS MANUAL CONTROL 23Lt 900XP

Pos	Spare Code	Factory Code	Descrizione	Description	Ref./Notes
330	*	50489X000	PARETE POST. CAM. COMB.	REAR PANEL, COMB. CHAMB.	B, D, F
335	*	529825701	PARETE ANT. CAMINO	FRONT PANEL, CHIMNEY	
340	*	529825601	PARETE POST. CAMINO	REAR PANEL, CHIMNEY	